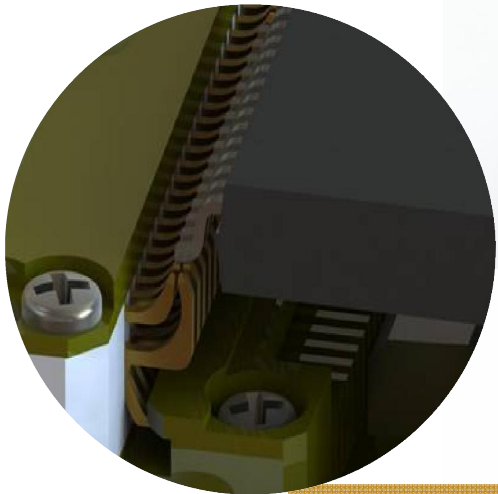


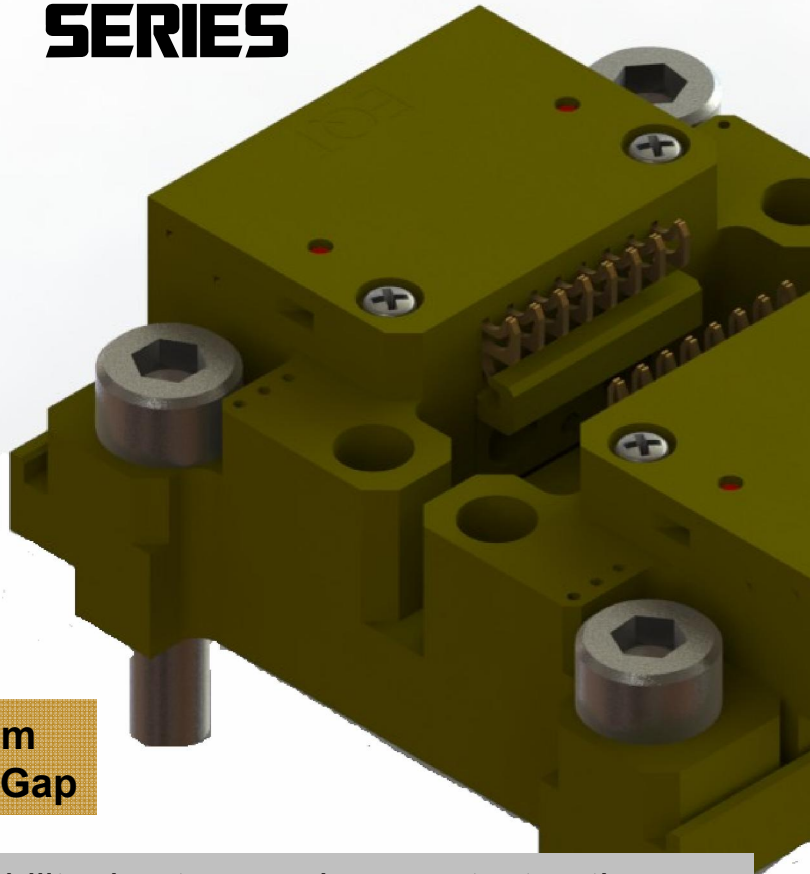
# EQT NEWS

FOR EXTREME HIGH TEMPERATURE AND HIGH CURRENT TESTING

## **ULTRA** HC SERIES CONTACTS



80um-100um  
Force/Sense Gap



- Consistent resistance repeatability due to one piece contact path
- Economical due to one piece contact finger replacement concept
- Socket bodies can be customized to different types of Handler Platform
- Applicable for testing Automotive devices

## KELVIN CONTACTOR SOLUTION

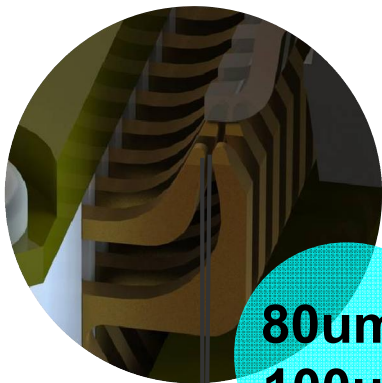


**EQUIPTEST ENGINEERING**

www.equiptest.com.sg Email: eqt@equiptest.com.sg

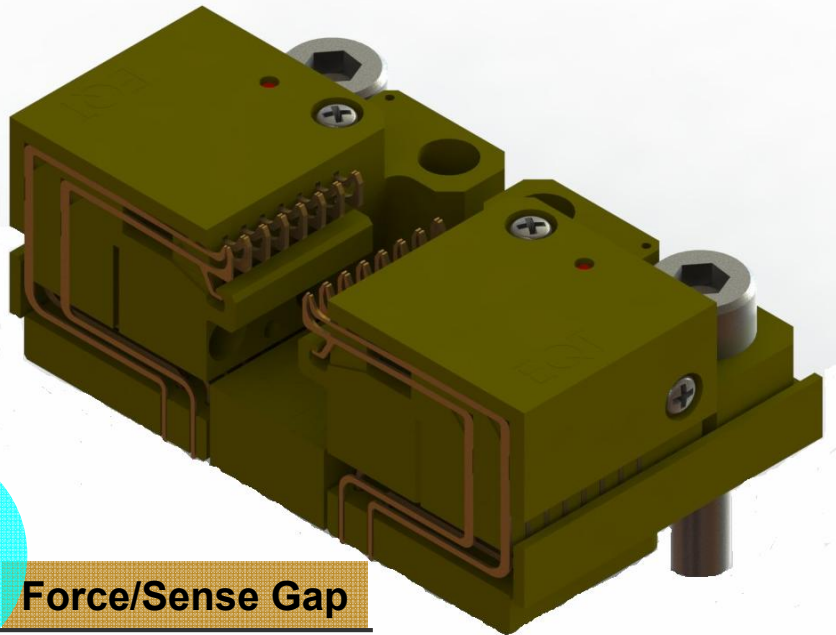
# KELVIN CONTACTOR SOLUTION

Mechanical	Working CPH	mm	0.65	Electrical	CRes	mOhm	< 50	
	Force @ cph	grams	32		CCC	100% Duty Cycle,A	8	
	Min Pitch	mm	0.5		CCC	1% Duty Cycle,A	150	
	PCB Pre-Load	mm	0.2		Induct. - Self	nH	3	
	DUT Compression	mm	0.4		Contact Finger Plating Material		Proprietary Gold	
	Tip Shape	(DUT Side)			Sharp	Contact Finger Base Material		Hardened BeCu
		(PCB Side)			Radius			
Temp	Deg C		-55 ~ 200	Application	Packages	PLCC Family QFP Family SO Family		
Kelvin Force and Sense Pin Gap	mm		0.08		Kelvin and Non-Kelvin			



80um-  
100um

Force/Sense Gap



**EQUIPTEST ENGINEERING**

www.equiptest.com.sg Email: eqt@equiptest.com.sg